

## **Spare parts list**

(1.194-402.0) G 2500 VH

## Table of contents

---

G 2500 VH (1.194-402.0)	3
20 Spare parts list G 2500 VH (9.139-180.0)	4
10 Frame	5
20 Pump set	7
21 Cylinder head	8
1 Nozzle insert (4.769-035.0)	10
3 Throttle complete (4.030-109.0)	12
5 Joining piece only for replacement (4.030-125.0)	13
7 Suction valve complete (4.580-330.0)	15
10 Valve (3 Stück) (2.884-916.0)	16
12 Drain plug only for replacement (4.132-007.0)	18
13 Spare part set chemistry (2.883-862.0)	20
22 Piston	22
1 Thermo valve only for replacement 60 GRD (4.580-360.0)	24
36 Valve plug complete (4.132-011.0)	25
100 Thermo valve 60 GRD (4.580-359.0)	26
23 Cylinder head	28
1 Nozzle insert (4.769-035.0)	30
3 Throttle complete (4.030-109.0)	32
5 Joining piece only for replacement (4.030-125.0)	33
7 Suction valve complete (4.580-330.0)	35
10 Valve (3 Stück) (2.884-916.0)	36
12 Drain plug only for replacement (4.132-007.0)	38
13 Spare part set chemistry (2.883-862.0)	40
24 Piston	42
1 Thermo valve only for replacement 60 GRD (4.580-360.0)	44
36 Valve plug complete (4.132-011.0)	45
100 Thermo valve 60 GRD (4.580-359.0)	46
30 Motor	48
31 Motor	49
32 Transmission	51
40 Accessories	53

G 2500 VH (1.194-402.0)

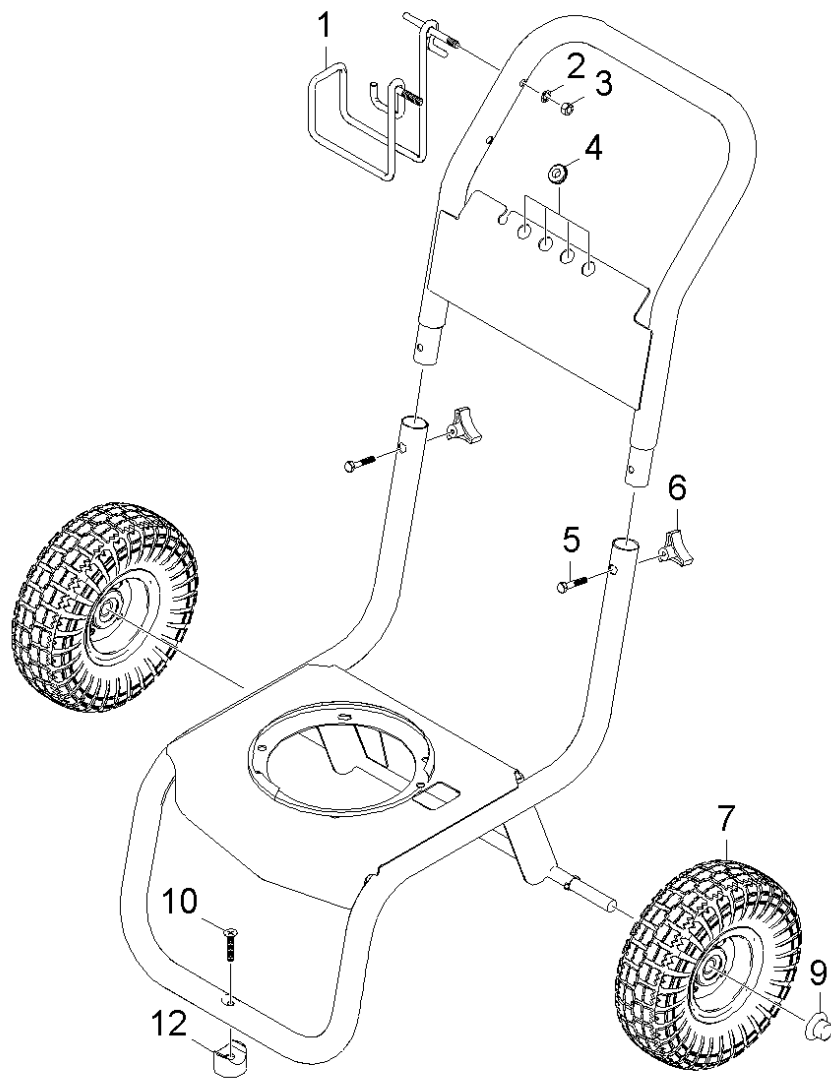
---

<b>POS</b>	<b>Article no.</b>	<b>Description</b>	<b>Quantity</b>	<b>Unit</b>
20	9.139-180.0	Spare parts list G 2500 VH	1	PC

20 Spare parts list G 2500 VH (9.139-180.0)

---

<b>POS</b>	<b>Description</b>	<b>Quantity</b>	<b>Unit</b>
10	Frame	1	PC
20	Pump set	1	PC
30	Motor	1	PC
40	Accessories	1	PC



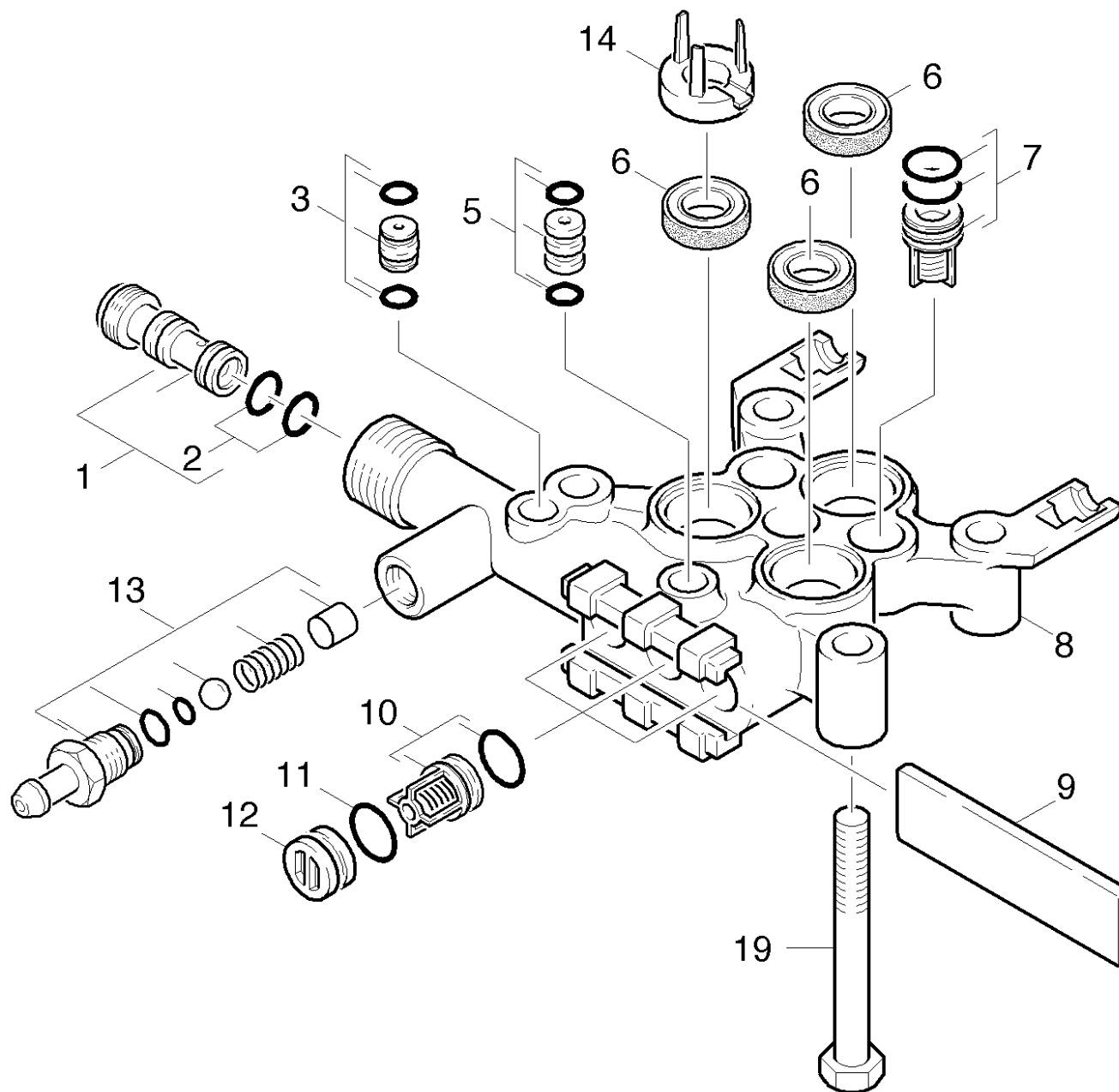
## 10 Frame

POS	Article no.	Description	Quantity	Unit	Foot note text
1	9.142-009.0	HANGER WELD ASSY 45DEG RIGHT (SOLO)	1	PC	
2	9.198-003.0	5/16 INTERNAL L/W .332 ID X .620 OD ZINC	2	PC	
3	5.310-105.0	"5/16""-18 FINISHED HEX NUT ZINC"	2	PC	
4	7.777-999.0	Stockpiling discontinued	5	PC	
5	9.196-307.0	1/4-20 x 1-1/2 GR 2 HEX BOLT ZINC	2	PC	
6	9.182-353.0	KNOB 1/4"-20,3PT. STAR	2	PC	
7	8.754-186.0	QH WHEEL ASSY, 10" GRAY STEEL RIM W/TUB	2	PC	ARTICLE ONLY AVAILABLE AT KNA
9	9.182-506.0	CAP BLACK PLASTIC,5/8"FASTENER	2	PC	
10	7.777-999.0	Stockpiling discontinued	1	PC	
12	9.183-408.0	Rubber buffer	1	PC	

## 20 Pump set

---

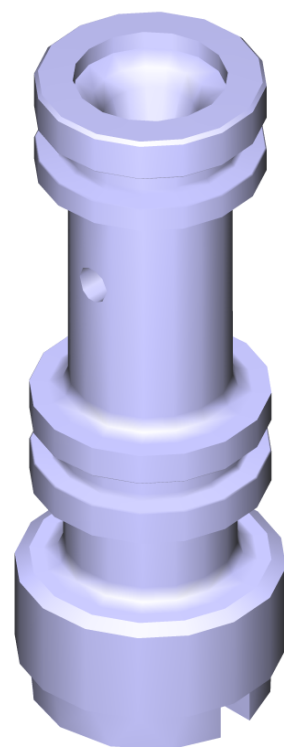
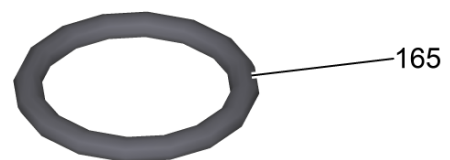
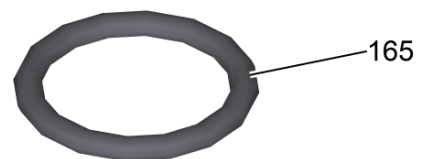
<b>POS</b>	<b>Description</b>	<b>Quantity</b>	<b>Unit</b>	<b>Remark</b>
21	Cylinder head	1	PC	VERSION 1
22	Piston	1	PC	VERSION 1
23	Cylinder head	1	PC	VERSION 2
24	Piston	1	PC	VERSION 2





## 21 Cylinder head

POS	Article no.	Description	Quantity	Unit
1	4.769-035.0	Nozzle insert	1	PC
2	6.362-384.0	O-Ring seal 9x1,5 - NBR 70	2	PC
3	4.030-109.0	Throttle complete	1	PC
5	4.030-125.0	Joining piece only for replacement	1	PC
6	6.365-394.0	Grooved ring 12x20x5,3/2,8	3	PC
7	4.580-330.0	Suction valve complete	3	PC
8	5.550-294.0	Cylinder head	1	PC
9	5.003-062.0	Plate	1	PC
10	2.884-916.0	Valve (3 Stück)	1	PC
11	6.363-273.0	O-Ring seal 11,0 x 2,0	3	PC
12	4.132-007.0	Drain plug only for replacement	3	PC
13	2.883-862.0	Spare part set chemistry	1	PC
14	5.115-903.0	Washer	3	PC
19	7.304-408.0	Hexagonal head screw M 8x80-8.8-A2E ISO	4	PC



1 Nozzle insert (4.769-035.0)

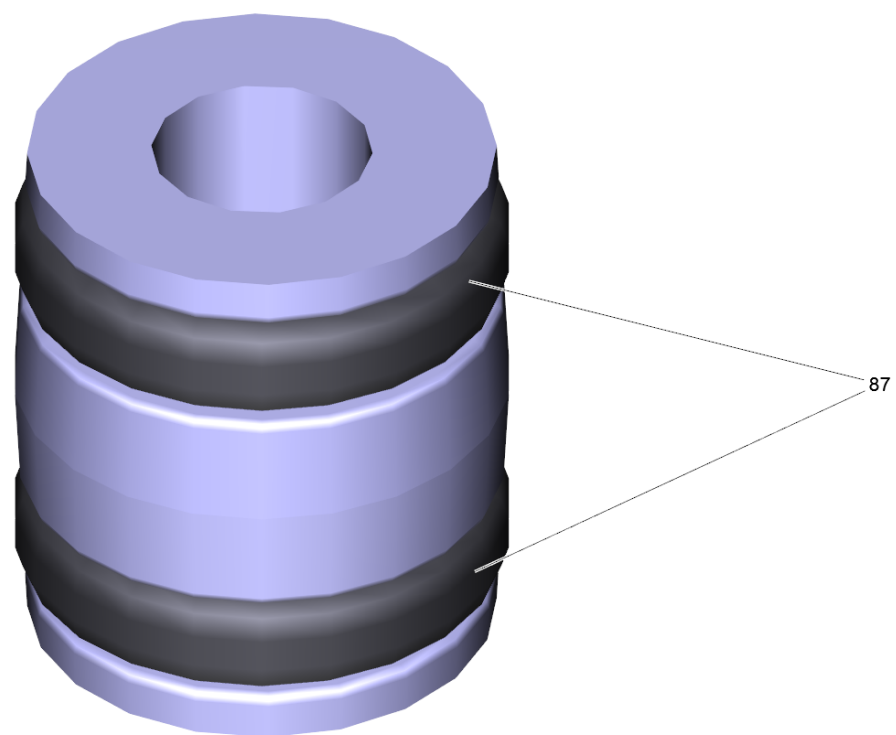
---

<b>POS</b>	<b>Article no.</b>	<b>Description</b>	<b>Quantity</b>	<b>Unit</b>
165	6.362-384.0	O-Ring seal 9x1,5 - NBR 70	2	PC

3 Throttle complete (4.030-109.0)

---

<b>POS</b>	<b>Article no.</b>	<b>Description</b>	<b>Quantity</b>	<b>Unit</b>
87	6.362-176.0	O-Ring seal 6,07x1,78	2	PC
120	6.288-044.0	Silicon grease 100 G	1	PC



5 Joining piece only for replacement (4.030-125.0)

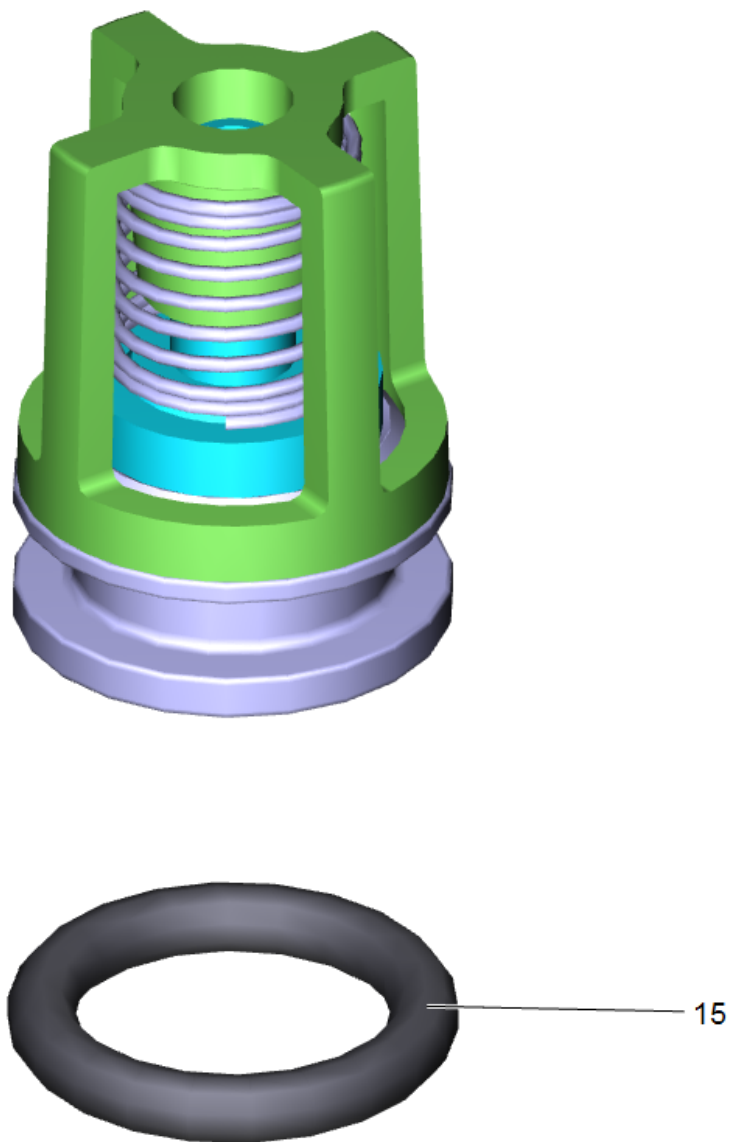
---

<b>POS</b>	<b>Article no.</b>	<b>Description</b>	<b>Quantity</b>	<b>Unit</b>
87	6.362-176.0	O-Ring seal 6,07x1,78	2	PC

7 Suction valve complete (4.580-330.0)

---

<b>POS</b>	<b>Article no.</b>	<b>Description</b>	<b>Quantity</b>	<b>Unit</b>
86	6.363-614.0	O-Ring seal 9 x 2 -NBR90	2	PC
120	6.288-044.0	Silicon grease 100 G	1	PC



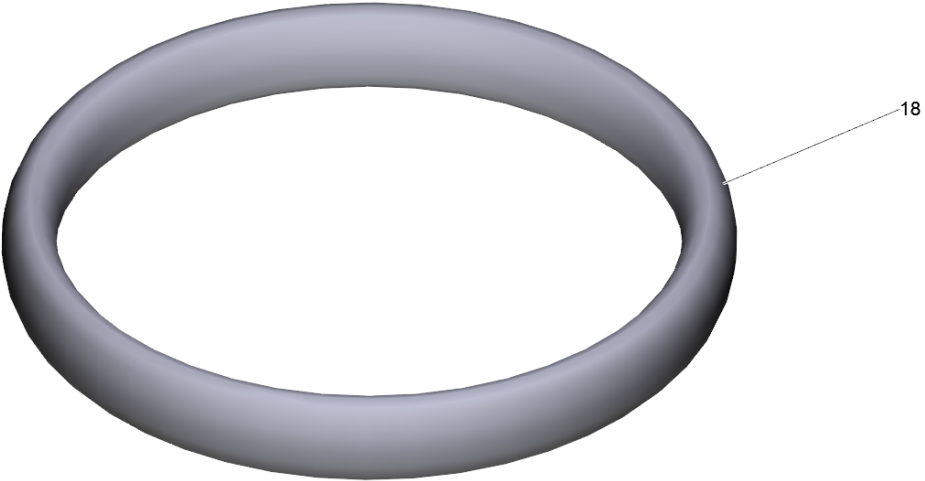
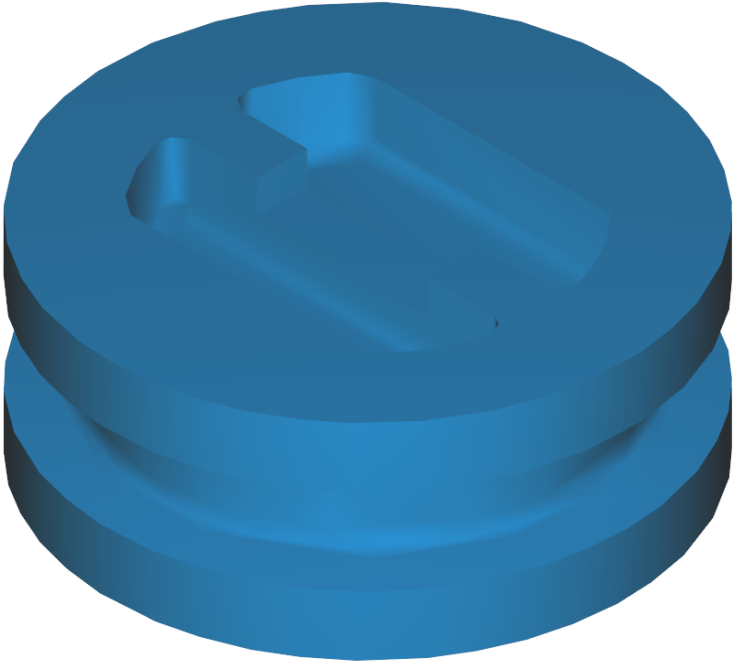


10 Valve (3 Stück) (2.884-916.0)

---

POS	Article no.	Description	Quantity	Unit
15	6.362-077.0	O-Ring seal 10 x 2,2 NBR 70	3	PC

---

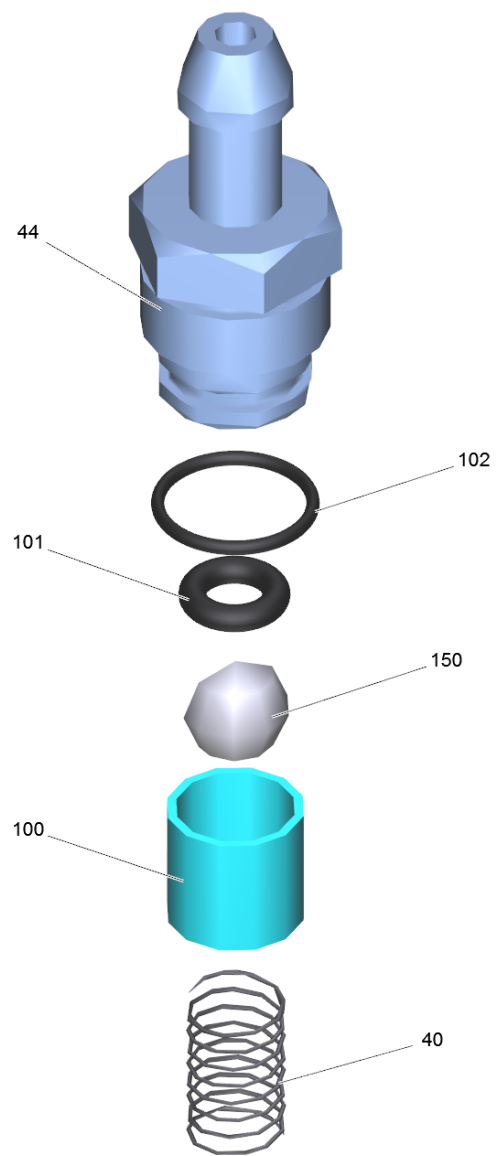


12 Drain plug only for replacement (4.132-007.0)

---

<b>POS</b>	<b>Article no.</b>	<b>Description</b>	<b>Quantity</b>	<b>Unit</b>
18	6.362-458.0	O-Ring seal 11,0x2,0-NBR 70	1	PC

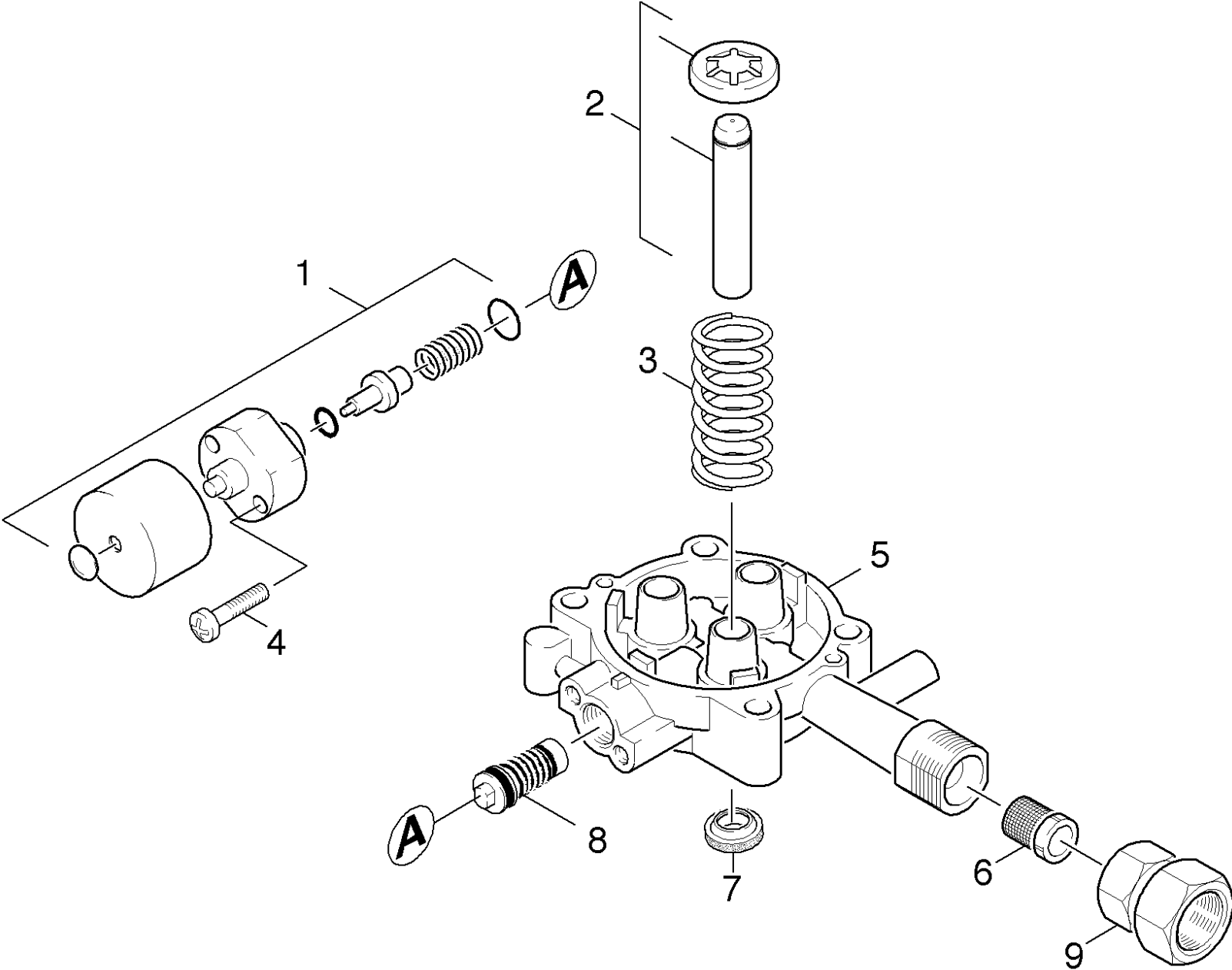
---



### 13 Spare part set chemistry (2.883-862.0)

---

<b>POS</b>	<b>Article no.</b>	<b>Description</b>	<b>Quantity</b>	<b>Unit</b>
40	5.332-258.0	Helical spring	1	PC
44	5.443-448.0	Nipple chemistry	1	PC
100	5.110-714.0	Sleeve	1	PC
101	6.363-597.0	O-Ring seal 5,28 x 1,78	1	PC
102	6.362-451.0	O-Ring seal 8,0 x 1,0	1	PC
110	6.376-036.0	Label spare parts neutrally 65x55 MM	1	ZST
150	7.401-908.0	Sphere 7 G300 -1.4301 DIN 5401	1	PC



## 22 Piston

---

POS	Article no.	Description	Quantity	Unit
1	4.580-360.0	Therموالve only for replacement 60 GRD	1	PC
2	4.553-215.0	Piston complete	3	PC
3	5.332-391.0	Pressure spring	3	PC
4	6.303-324.0	M6 X 32 TORX DRIVE PAN HD SPECIAL POINT	2	PC
5	7.777-999.0	Stockpiling discontinued	1	PC
6	6.414-252.0	Strainer	1	PC
7	6.365-393.0	Oil sealing 12x20x4/6	3	PC
8	4.591-040.0	Spill Valve Complete	1	PC
9	9.154-009.0	"Coupling element 3/4" ""	1	PC

1 Thermovalve only for replacement 60 GRD (4.580-360.0)

---

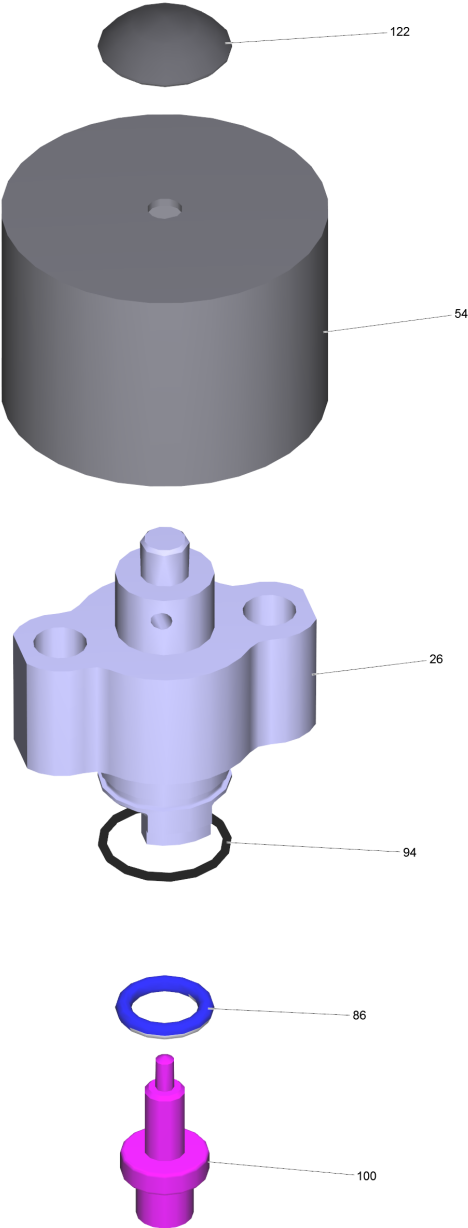
<b>POS</b>	<b>Article no.</b>	<b>Description</b>	<b>Quantity</b>	<b>Unit</b>
36	4.132-011.0	Valve plug complete	1	PC
100	4.580-359.0	Thermovalve 60 GRD	1	PC



36 Valve plug complete (4.132-011.0)

---

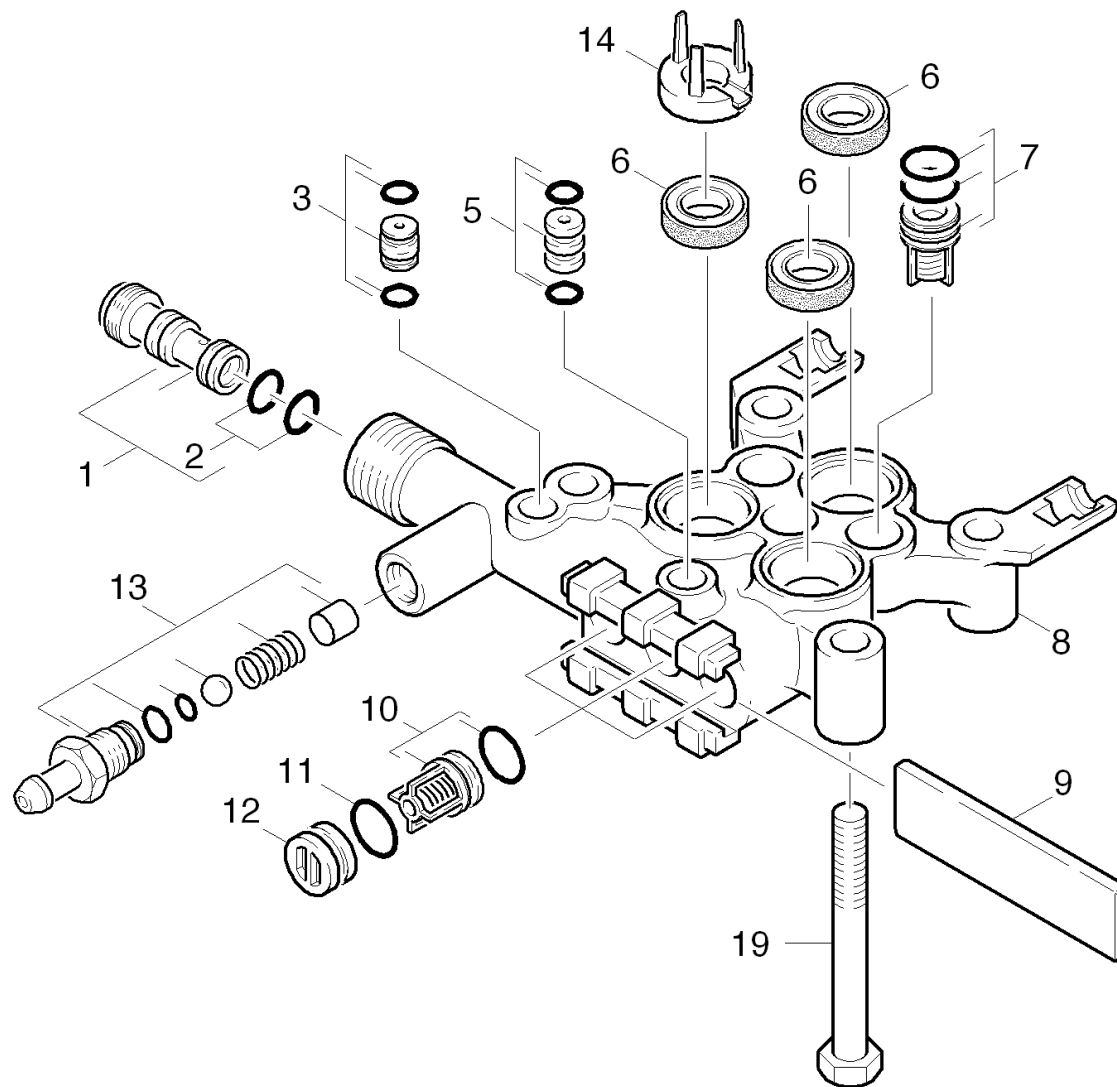
POS	Article no.	Description	Quantity	Unit
85	6.362-458.0	O-Ring seal 11,0x2,0-NBR 70	1	PC
120		Grease	0,4	g



## 100 Thermovalve 60 GRD (4.580-359.0)

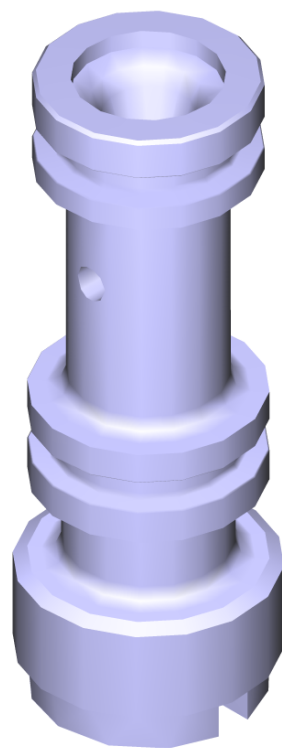
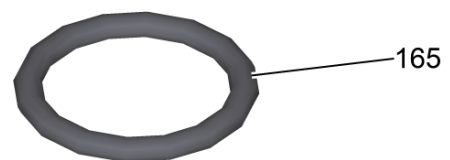
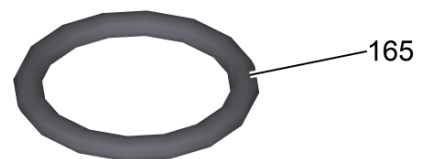
---

<b>POS</b>	<b>Article no.</b>	<b>Description</b>	<b>Quantity</b>	<b>Unit</b>
26	5.587-196.0	Valve housing	1	PC
54	5.394-522.0	Protecting cap black	1	PC
86	7.362-507.0	O-Ring seal 8x2-NBR 90 DIN 3770	1	PC
94	6.362-553.0	O-Ring seal 14,0 X 1,1	1	PC
100	6.413-403.0	Thermovalve 60°	1	PC
120	6.288-044.0	Silicon grease 100 G	1	PC
122	6.343-129.0	Lock washer	1	PC



## 23 Cylinder head

POS	Article no.	Description	Quantity	Unit
1	4.769-035.0	Nozzle insert	1	PC
2	6.362-384.0	O-Ring seal 9x1,5 - NBR 70	1	PC
3	4.030-109.0	Throttle complete	1	PC
5	4.030-125.0	Joining piece only for replacement	1	PC
6	6.365-394.0	Grooved ring 12x20x5,3/2,8	3	PC
7	4.580-330.0	Suction valve complete	3	PC
8	5.550-294.0	Cylinder head	1	PC
9	5.003-062.0	Plate	1	PC
10	2.884-916.0	Valve (3 Stück)	1	PC
11	6.363-273.0	O-Ring seal 11,0 x 2,0	3	PC
12	4.132-007.0	Drain plug only for replacement	3	PC
13	2.883-862.0	Spare part set chemistry	1	PC
14	5.116-062.0	Washer	3	PC
19	7.304-098.0	Hexagonal head screw M8x80-8.8-A2E ISO 4014	4	PC



1 Nozzle insert (4.769-035.0)

---

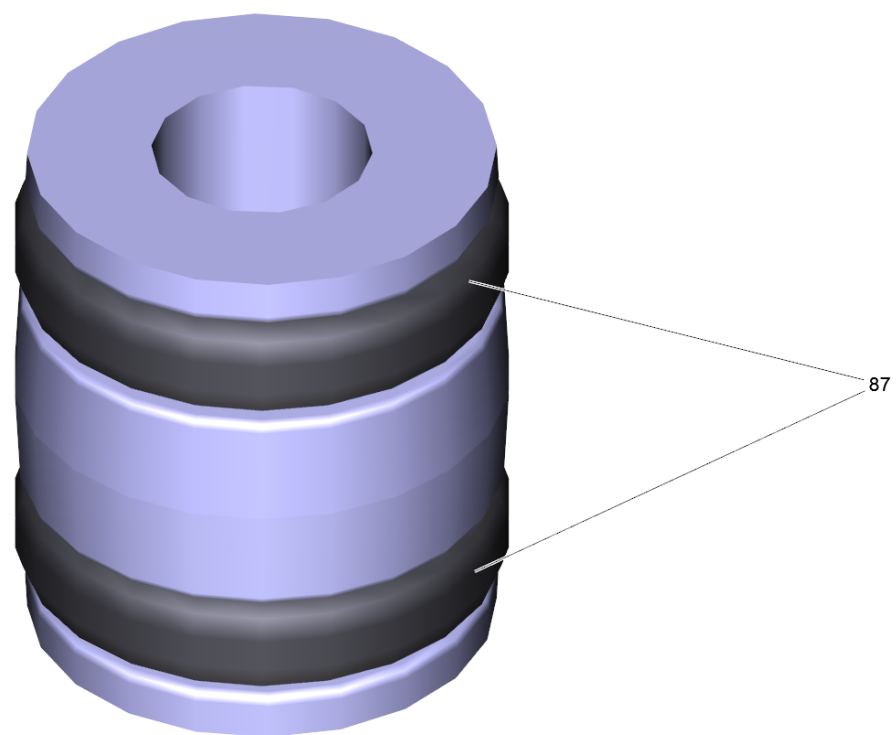
<b>POS</b>	<b>Article no.</b>	<b>Description</b>	<b>Quantity</b>	<b>Unit</b>
165	6.362-384.0	O-Ring seal 9x1,5 - NBR 70	2	PC

### 3 Throttle complete (4.030-109.0)

---

<b>POS</b>	<b>Article no.</b>	<b>Description</b>	<b>Quantity</b>	<b>Unit</b>
87	6.362-176.0	O-Ring seal 6,07x1,78	2	PC
120	6.288-044.0	Silicon grease 100 G	1	PC





5 Joining piece only for replacement (4.030-125.0)

---

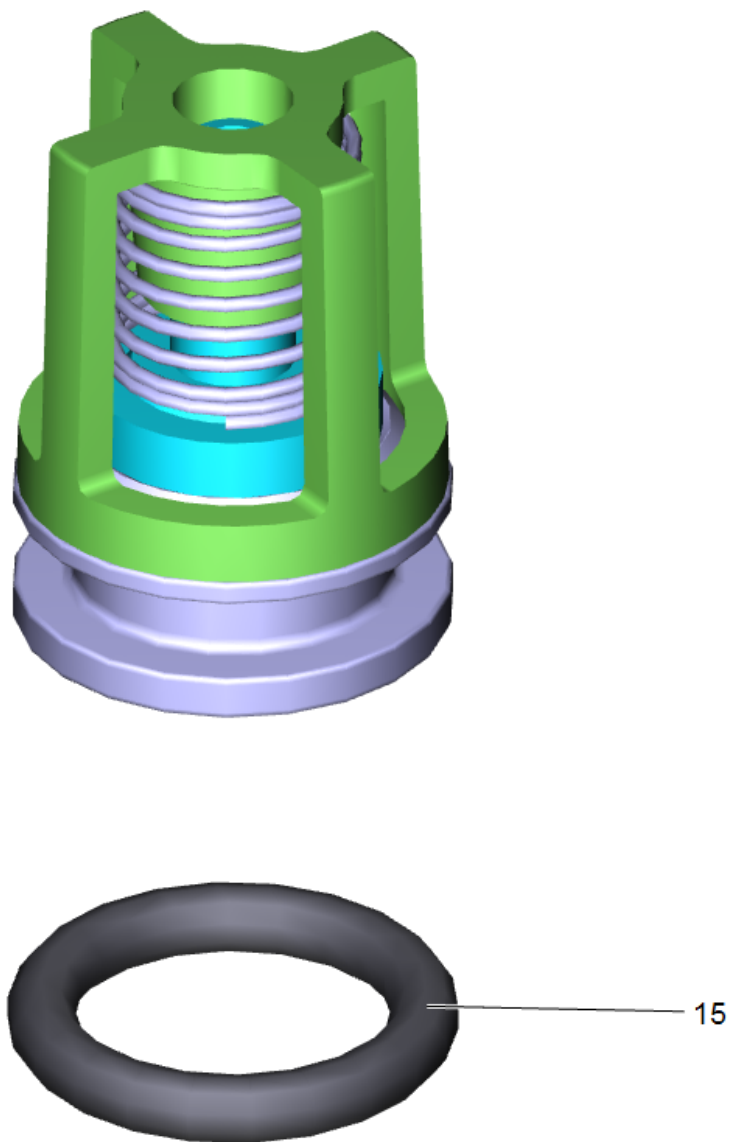
<b>POS</b>	<b>Article no.</b>	<b>Description</b>	<b>Quantity</b>	<b>Unit</b>
87	6.362-176.0	O-Ring seal 6,07x1,78	2	PC

---

7 Suction valve complete (4.580-330.0)

---

<b>POS</b>	<b>Article no.</b>	<b>Description</b>	<b>Quantity</b>	<b>Unit</b>
86	6.363-614.0	O-Ring seal 9 x 2 -NBR90	2	PC
120	6.288-044.0	Silicon grease 100 G	1	PC

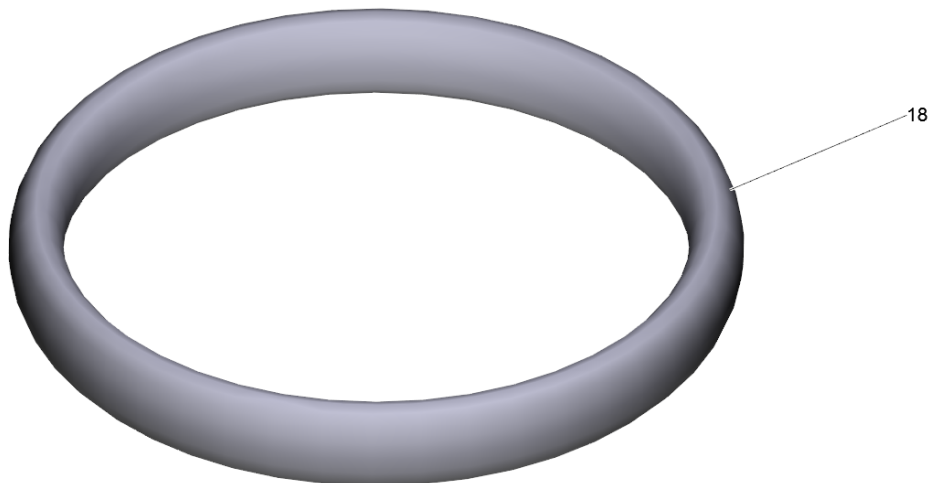
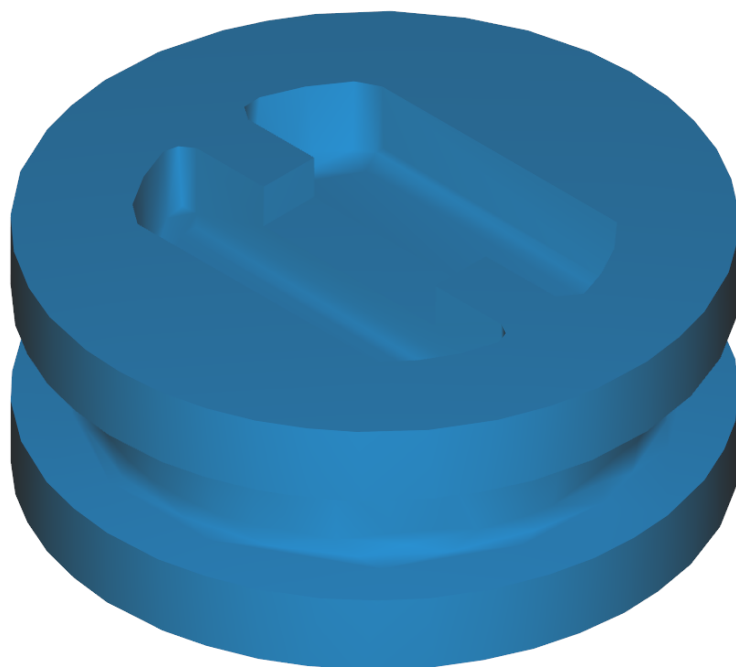


10 Valve (3 Stück) (2.884-916.0)

---

POS	Article no.	Description	Quantity	Unit
15	6.362-077.0	O-Ring seal 10 x 2,2 NBR 70	3	PC

---

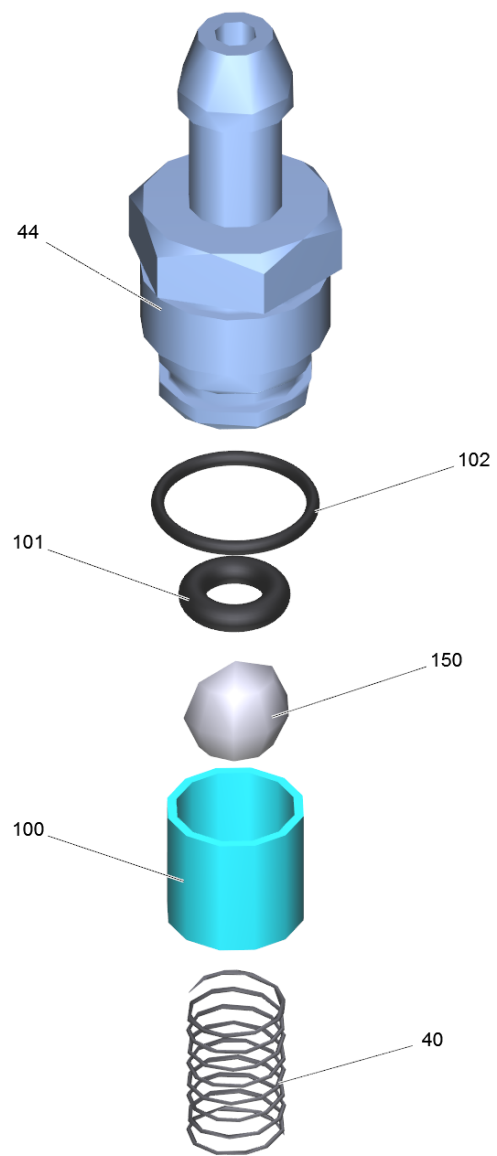


12 Drain plug only for replacement (4.132-007.0)

---

POS	Article no.	Description	Quantity	Unit
18	6.362-458.0	O-Ring seal 11,0x2,0-NBR 70	1	PC

---

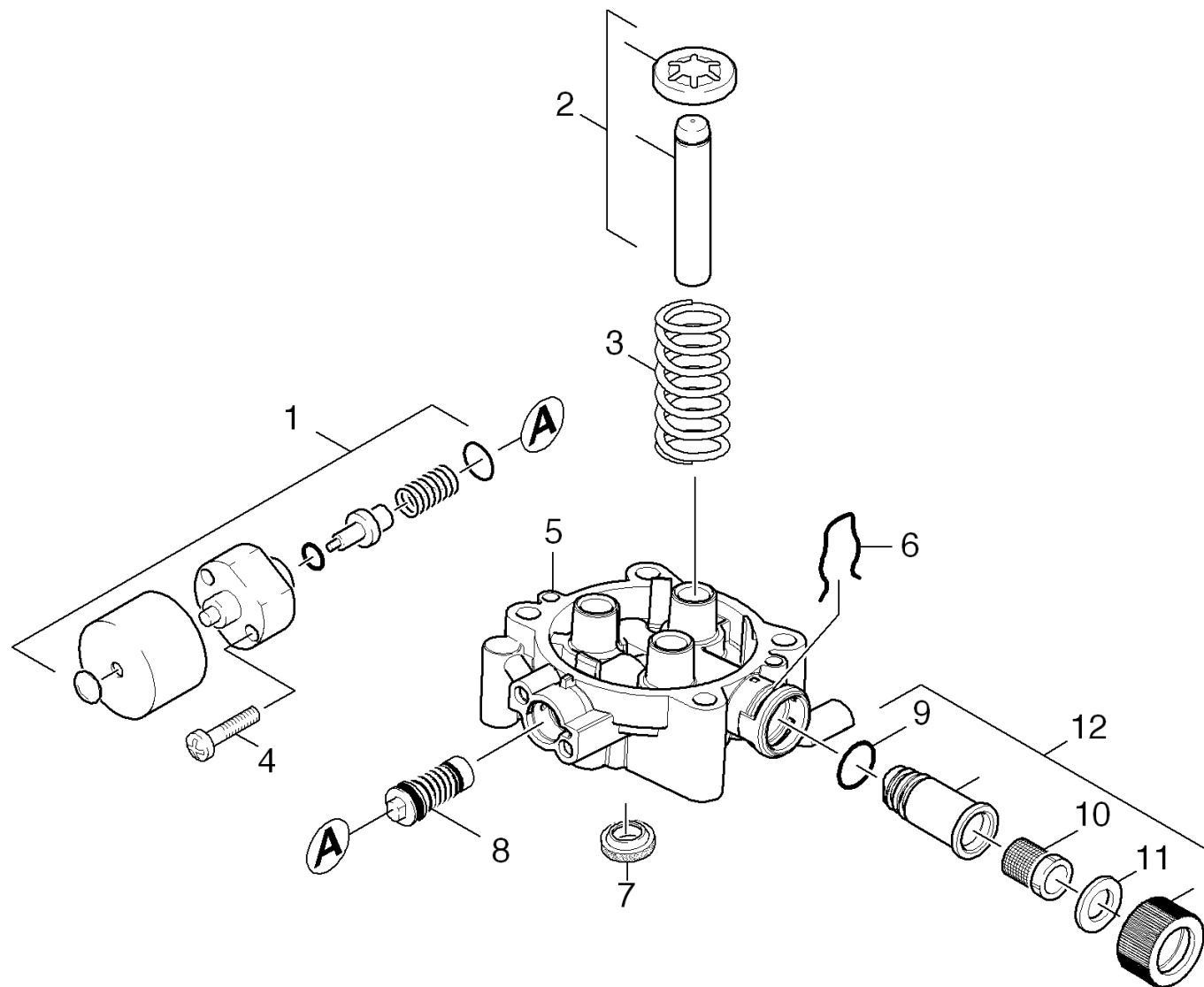




### 13 Spare part set chemistry (2.883-862.0)

---

<b>POS</b>	<b>Article no.</b>	<b>Description</b>	<b>Quantity</b>	<b>Unit</b>
40	5.332-258.0	Helical spring	1	PC
44	5.443-448.0	Nipple chemistry	1	PC
100	5.110-714.0	Sleeve	1	PC
101	6.363-597.0	O-Ring seal 5,28 x 1,78	1	PC
102	6.362-451.0	O-Ring seal 8,0 x 1,0	1	PC
110	6.376-036.0	Label spare parts neutrally 65x55 MM	1	ZST
150	7.401-908.0	Sphere 7 G300 -1.4301 DIN 5401	1	PC



## 24 Piston

POS	Article no.	Description	Quantity	Unit
1	4.580-360.0	Therموالve only for replacement 60 GRD	1	PC
2	4.553-228.0	Piston complete D12	3	PC
3	5.332-391.0	Pressure spring	3	PC
4	6.303-324.0	M6 X 32 TORX DRIVE PAN HD SPECIAL POINT	2	PC
5	5.061-287.0	Piston guidance anodized	1	PC
6	5.048-915.0	Clamp	1	PC
7	6.365-393.0	Oil sealing 12x20x4/6	3	PC
8	4.591-040.0	Spill Valve Complete	1	PC
9	6.363-610.0	O-Ring seal 13 x 3 -NBR	1	PC
10	6.414-252.0	Strainer	1	PC
11	5.364-129.0	Flat gasket	1	PC
12	9.172-316.0	SPARE PART KIT WATER INLET PUMP-016	1	PC

1 Thermovalve only for replacement 60 GRD (4.580-360.0)

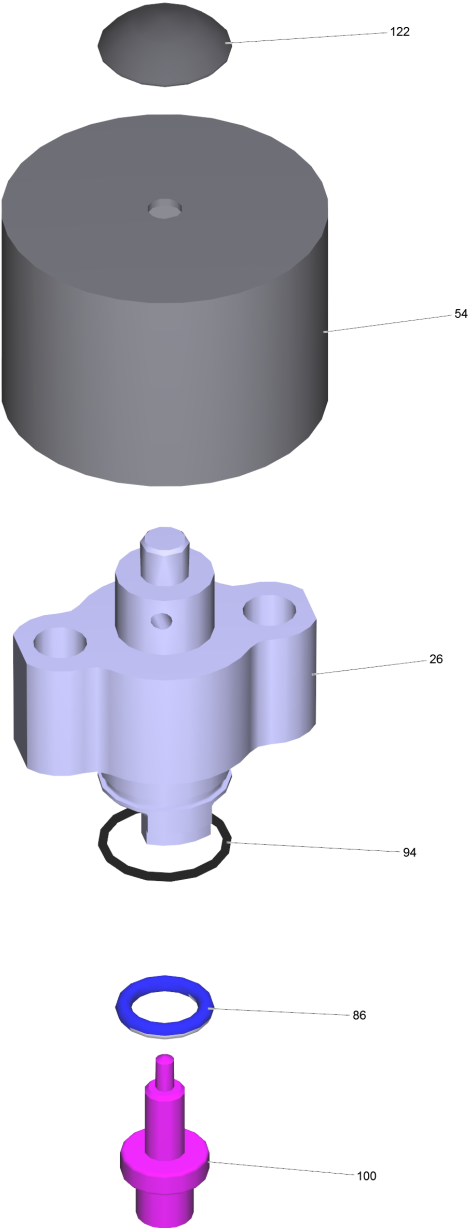
---

<b>POS</b>	<b>Article no.</b>	<b>Description</b>	<b>Quantity</b>	<b>Unit</b>
36	4.132-011.0	Valve plug complete	1	PC
100	4.580-359.0	Thermovalve 60 GRD	1	PC

36 Valve plug complete (4.132-011.0)

---

POS	Article no.	Description	Quantity	Unit
85	6.362-458.0	O-Ring seal 11,0x2,0-NBR 70	1	PC
120		Grease	0,4	g



## 100 Thermovalve 60 GRD (4.580-359.0)

---

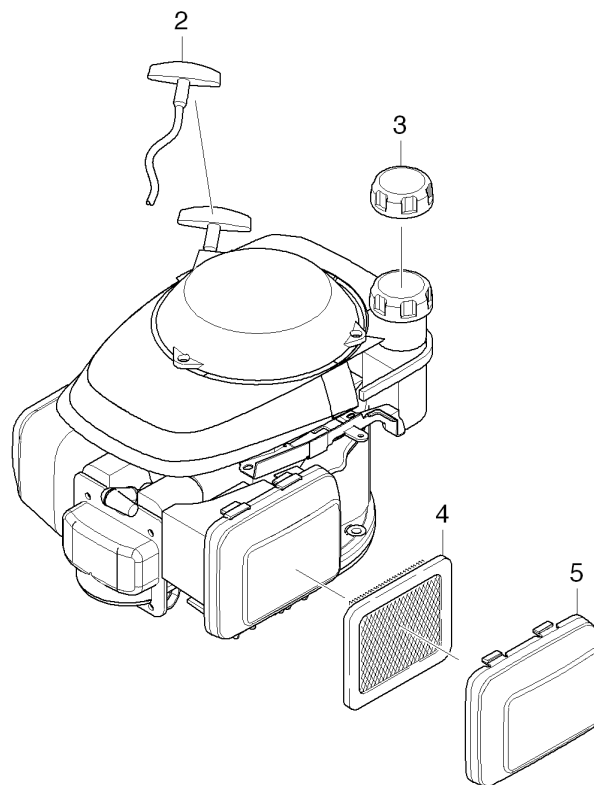
<b>POS</b>	<b>Article no.</b>	<b>Description</b>	<b>Quantity</b>	<b>Unit</b>
26	5.587-196.0	Valve housing	1	PC
54	5.394-522.0	Protecting cap black	1	PC
86	7.362-507.0	O-Ring seal 8x2-NBR 90 DIN 3770	1	PC
94	6.362-553.0	O-Ring seal 14,0 X 1,1	1	PC
100	6.413-403.0	Thermovalve 60°	1	PC
120	6.288-044.0	Silicon grease 100 G	1	PC
122	6.343-129.0	Lock washer	1	PC

## 30 Motor

---

POS	Description	Quantity	Unit
31	Motor	1	PC
32	Transmission	1	PC

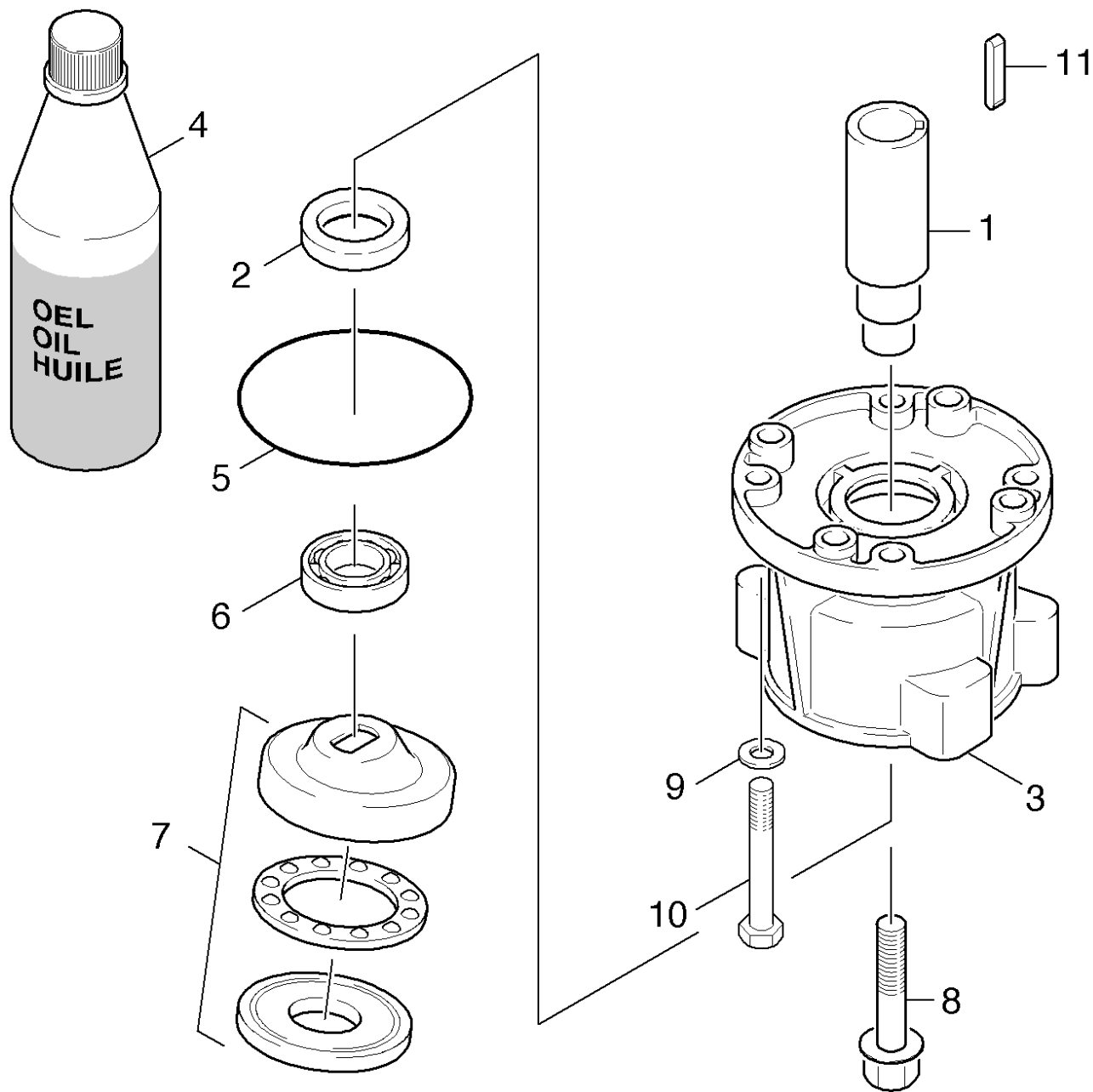




## 31 Motor

---

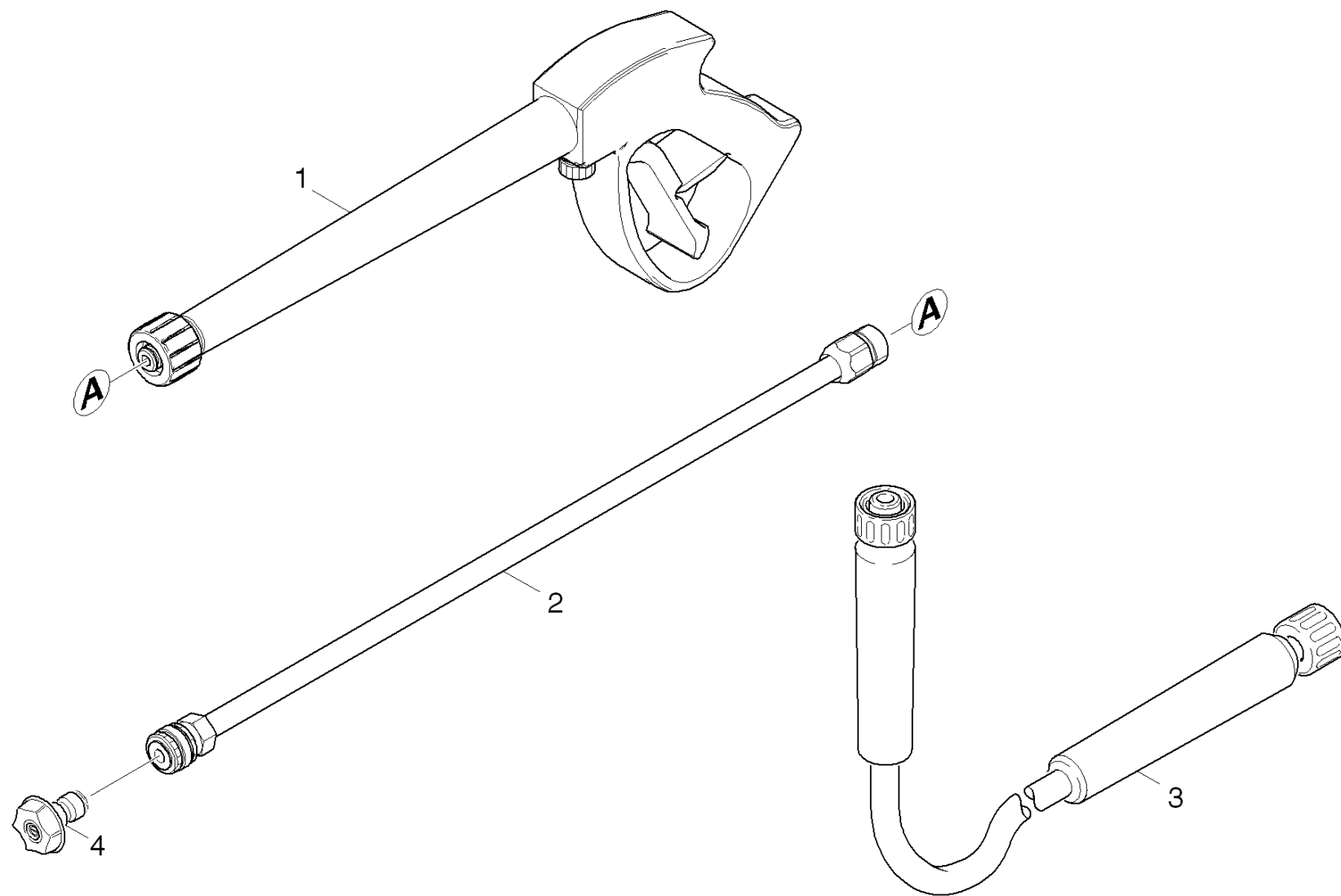
POS	Article no.	Description	Quantity	Unit
2	6.491-503.0	Handhold	1	PC
3	6.491-723.0	Cap of a tank	1	PC
4	6.491-726.0	Air filter insert	1	PC
5	9.194-543.0	Cover	1	PC



## 32 Transmission

---

<b>POS</b>	<b>Article no.</b>	<b>Description</b>	<b>Quantity</b>	<b>Unit</b>
1	9.154-031.0	PUMP SHAFT (VERT.)	1	PC
2	7.367-018.0	Radial shaft seal ring A26x37x7 -NBR DI	1	PC
3	7.777-999.0	Stockpiling discontinued	1	PC
4	6.288-050.0	Engine oil 1L	1	PC
5	6.362-471.0	O-Ring seal 80,0 X 3,0 -NBR 70	1	PC
6	4.401-199.0	Ball bearing 6304-WAELZLAGERST DIN 625	1	PC
7	6.401-289.3	Wobble plate	1	PC
8	6.304-048.0	Cylinder head screw M6x19	1	PC
9	9.802-813.0	WASHER, 5/16" SPLIT RING LOCK, ZINC	4	PC
10	9.196-033.0	5/16-24UNF X 1.75 SOCKET HEAD CAP SCREW	4	PC
11	9.194-592.0	SHAFT KEY	1	PC



## 40 Accessories

---

POS	Article no.	Description	Quantity	Unit
1	7.777-999.0	Stockpiling discontinued	1	PC
2	9.112-533.0	Lance-AL Quick Connect-Male 3000 psi	1	PC
3	8.753-423.0	HOSE, HP DN6 25FT, 3600PSI M22	1	PC
4	9.104-016.0	QUICK CONNECT NOZZLE KIT (0325)	1	PC